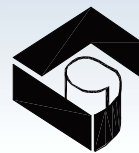


Closet Carousel

Installation Instructions



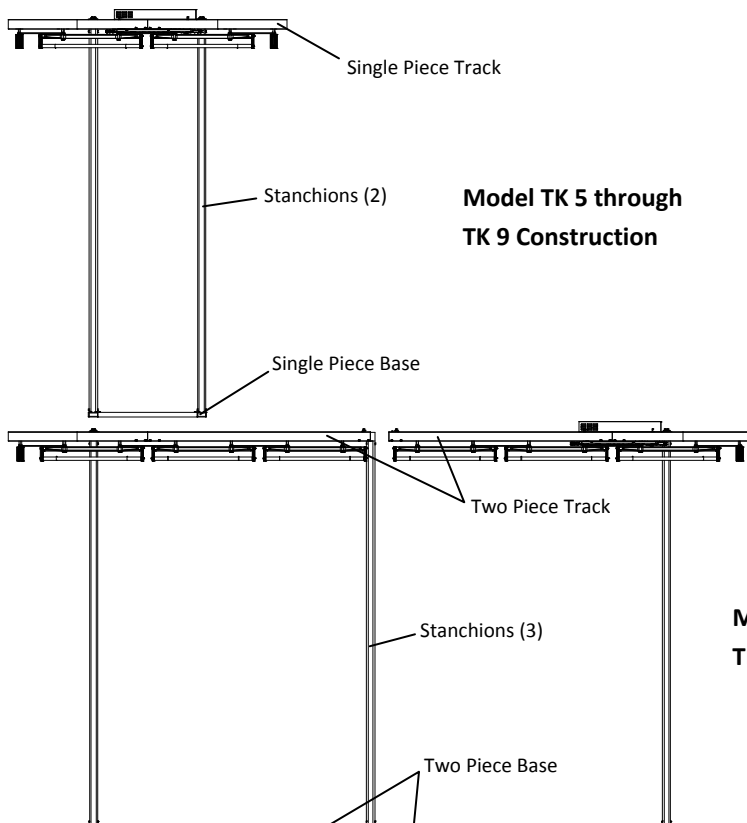
WHITE
HOME PRODUCTS, INC.

Tools Required:

- Flat Bladed Screwdriver
- Phillips (#2) Screwdriver
- Adjustable Wrench
- Level
- Electric Drill
- Masonry Drill Bit for Concrete Anchors
- Tape Measure
- Ladder (4 foot)

Caution: Before installing this product, read these instructions and follow all safety warnings.

Warning: Shock hazard. Do not install or operate your Closet Carousel outdoors or in wet locations.



Step 1. Base

- Cut nylon ties securing base to shipping cradles. Remove carousel base from carton.
- Models TK-5 through TK-9 have a single piece base. No assembly is needed.
- Models TK-10 through TK-14 have a two piece base. Connect the sections using two #10 x 1/2 screws and hex nuts as shown in Figure 1.

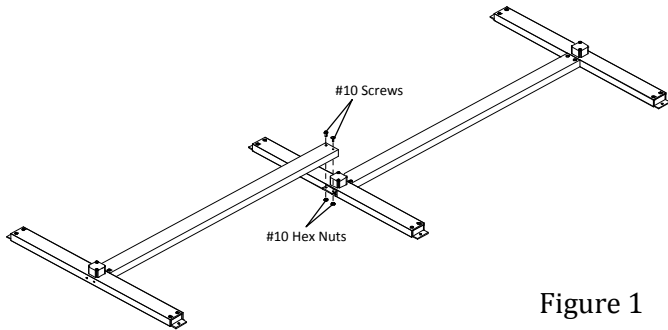


Figure 1

Step 2. Positioning Base

The base may be placed on carpet, tile, or non-covered wood and concrete floors. Note that anchor screws are not provided with the installation kit.

- Place base on floor in desired location and position according to minimum clearances shown in Figure 2.

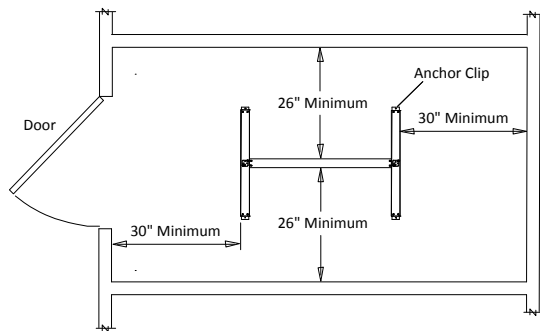


Figure 2

- Check that base sits flat and level. If the floor is uneven, it will be necessary to insert wood shims under the low corner before anchoring.
- Anchor base to floor using #10 x 3/4 wood screws or #10 screw concrete anchors. Install screws through holes in anchoring clips.

Step 3. Stanchions

- Remove stanchion poles from carton.
- Place stanchions over wood mounting blocks on base assembly. Note that screw holes in stanchion ends should line up with holes in mounts.

- Make sure stanchions are seated on base and secure each with two #10 screws. Snug up, but do not completely tighten screws.

Step 4. Track

- Models TK-5 through TK-9 have a single piece track. No assembly is needed
- Models TK-10 through TK-14 have a two piece track. Connect the sections as shown in Figure 3.

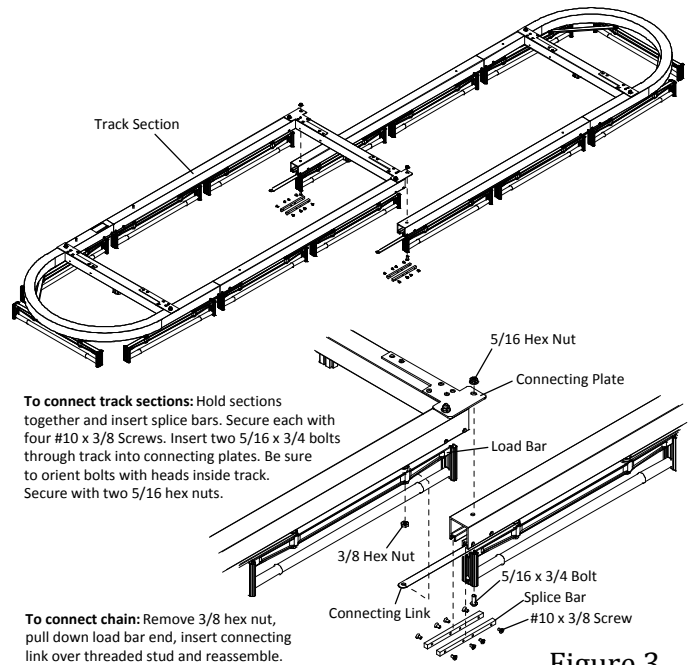


Figure 3

- Identify the rectangular cutout and mounting studs at the top of the track (see Figure 8). This is where the drive will mount. Orient the track with the drive closest to the doorway or opening from which the carousel will be operated as shown in Figure 4.

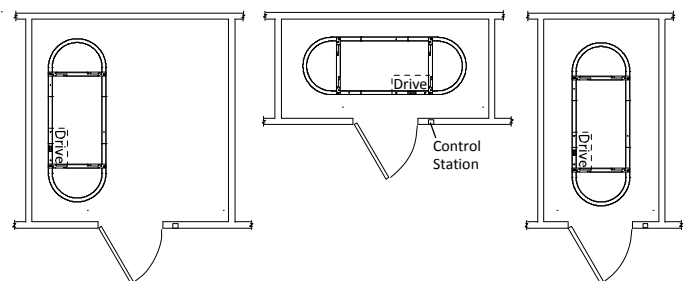


Figure 4

- With a helper, lift the track by the cross arms **only** and place on the stanchions.
- Make sure the stanchions are aligned with the mounting blocks on the cross arms. Tap cross arms down until they are seated on the stanchions.

- f. Secure each stanchion to the cross arm mounting blocks using two #10 screws. Snug up, but do not completely tighten screws.

Caution. The track could tip over until bracing is in place. Have a helper hold the track until Step 5 is completed.

Step 5. Bracing

Three wall braces are attached to the track. Side braces may be moved anywhere along track to align with wall studs. End brace may require drywall anchors (see Figure 5).

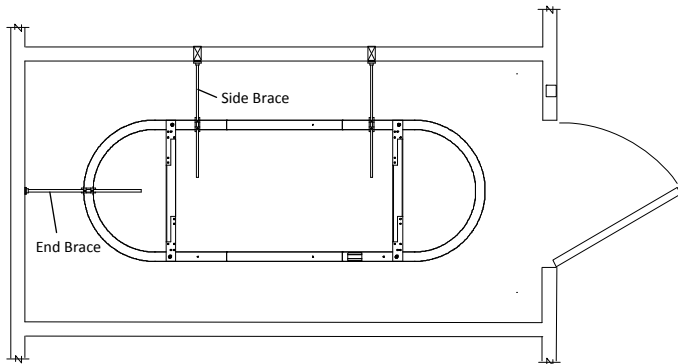


Figure 5

- a. Loosen two Phillips head screws on brace clamps (see Figure 6) and move side braces to anchor-wall side of carousel, near the cross arms.

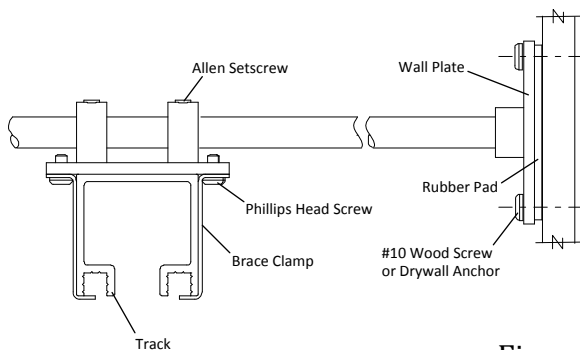


Figure 6

- b. Locate and mark the wall studs closest to the braces. Align side braces with studs.
- c. Loosen Allen setscrews at top of brace clamps with wrench provided in installation kit. Slide wall plates close to wall.
- d. Place level in position 1 (see Figure 7) and tilt carousel side-to-side until level reads plumb. Move brace wall plates to contact wall and tighten Allen setscrews.
- e. Place level in position 2 and tilt carousel front-to-back until stanchion is plumb. Slide braces on track until they line up with studs. Tighten Phillips screws on brace clamps.

- f. Place level in position 3 on top of cross arm. Tilt track until level. Secure wall plates to studs with #10 x 1 inch wood screws.
- g. Move end brace to anchor-wall side of carousel. Move wall plate to contact wall. Tighten setscrews and clamp screws.
- h. Secure wall plate to wall with #10 drywall anchors.

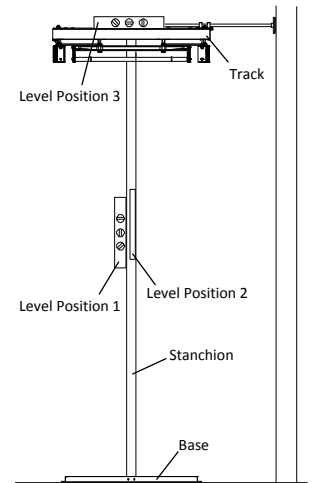


Figure 7

Step 6. Drive

The drive is packed fully assembled in a separate carton. To prepare for installation, unpack the drive and uncoil the switch and power cables attached to the motor cover.

- a. Remove two 1/4 inch hex nuts and washers from drive mounting studs on the track (see Figure 8).

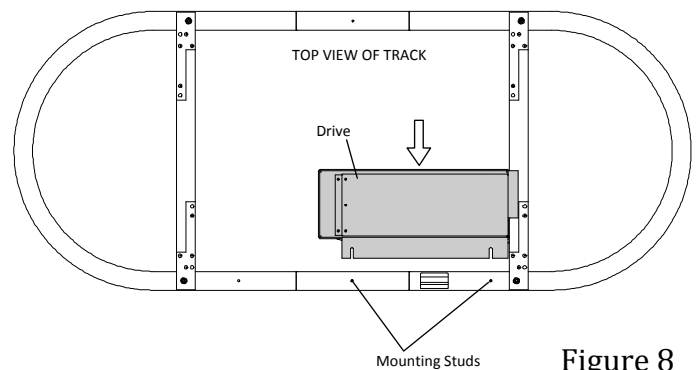


Figure 8

- b. Lift and place drive on track. Position drive mounting flanges on cross arm and track with slots in flange near studs.
- c. Move track chain to align trolley pins with pairs of drive pusher dogs. Slide drive in to engage pins and contact track (see Figure 9).
- d. Install washers and hex nuts on mounting studs to secure drive.

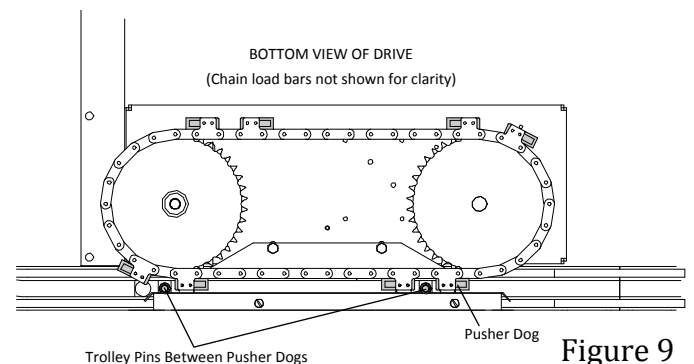


Figure 9

Step 7. Chain Guard

- The chain guard fits under the drive and covers the drive chain. Orient cover with notched end towards the cross arm (see Figure 10).
- Secure to drive plate with three 10-32 x 1/2 screws and hex nuts.

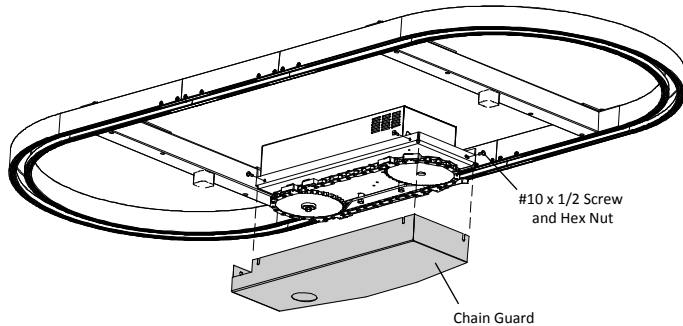


Figure 10



Warning. Pinch points between drive chain and carousel chain could cause injury. Never operate drive without chain guard in place.

Step 8. Control Station

Carousel motion is controlled by a wall mounted rocker switch. The low voltage switch should be mounted in a convenient location near the closet opening so garments can be viewed as the carousel revolves.

- The switch can be recess mounted in a standard 2x4 switch box.
- Drill a 1/2" hole in the interior closet wall and install grommet (included with installation kit). Route the switch cable from the drive to the box.
- Connect switch cable wires to switch. Press connectors onto terminals on back of switch as shown in Figure 11.
- Attach switch plate to switch box.
- Secure excess cable with nylon cable ties to prevent contact with moving parts of the carousel.

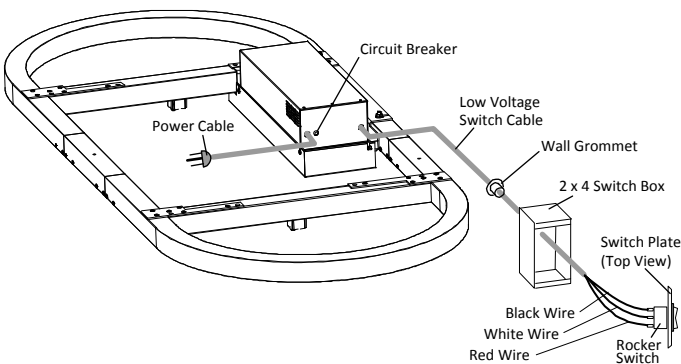


Figure 11

Step 9. Power

The Closet Carousel requires a 115 V AC, single phase, 60 Hz power source and draws 1 Amp at full load. A 6 foot power cable with three prong plug is prewired to the drive.

- Any nearby ceiling or wall mounted receptacle can be used to power the carousel. Secure cable to cross arms and/or stanchions to prevent contact with moving parts of the carousel.
- Check that the track is clear of tools and construction materials.
- Connect unit to power.
- Press the wall switch and check operation of carousel in both directions. If unit rotates in wrong direction, interchange black and red wires on rocker switch.



Warning. Shock and pinch point hazard. Always unplug power cable before attempting to service unit.

Step 10. Hanger Rods

The hanger rods are shipped preassembled to garment bars in the main carton. Note that the garment bars are secured to the hanger rods with setscrews. Use Allen wrench included in installation kit to adjust height as desired.

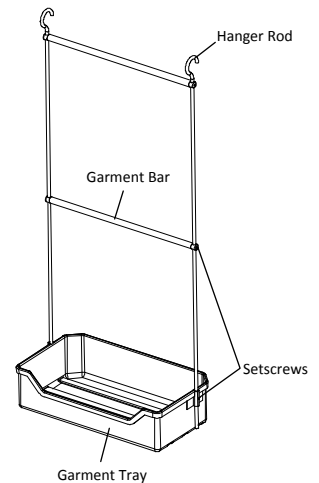


Figure 12

- Unpack the hanger rods.
- Rotate the carousel to place a load bar in the closet opening.
- Hang a pair of rods on the bar with the hooks facing inwards.
- Repeat steps b and c for each load bar on the carousel.
- Install garment trays by orienting tray with overhang facing out and inserting ends of hanger rods into setscrew collars at side of tray.
- Position tray at desired height and tighten setscrews.



Warning. Never climb, step, sit, ride or stand on carousel.